



REVISED  
07/04/2005

# *RESULTS*

*of Conflict checking of TOP LEVEL  
ACCESS PLATFORMS (SECTOR 13) –  
New Version AT392169MQ*

*Done by Lasha Sharmazanashvili*

*30/03/2005*

CATIA has been identified lot of conflicts of AT392169MQ – *TOP LEVEL ACCESS PLATFORMS (SECTOR 13)* with Toroid Magnets, Muon Spectrometer, Services and Support Structure.

List of conflicts have been checked with responsible designer of access platforms madam Nikitina Liudmila

Control method includes Clash and Clearance analysis.

Clearance has been taken 50mm according to O.Beltramello

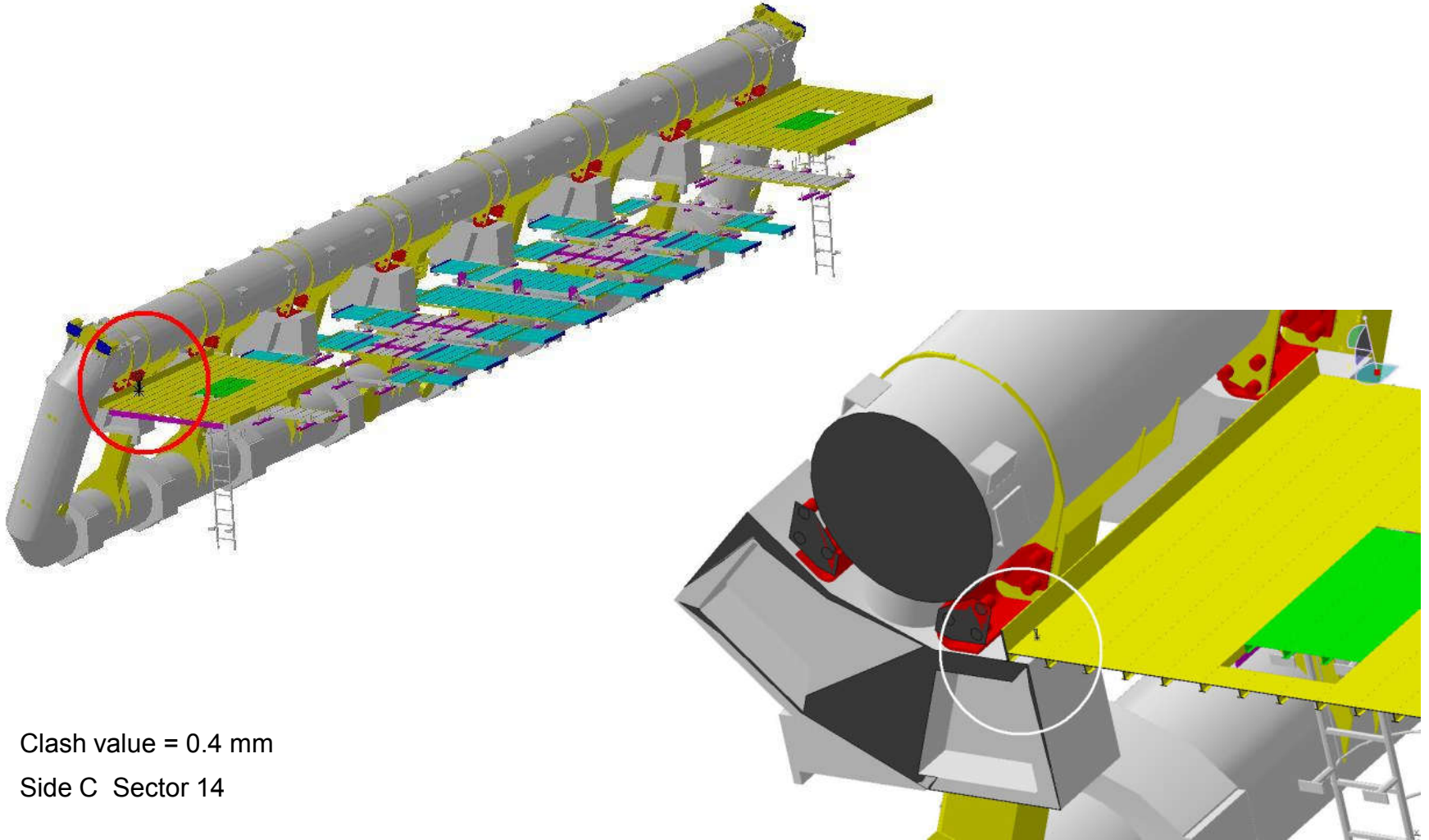
Results are below.

**Conflict list of AT392169MQ – TOP LEVEL ACCESS PLATFORMS (SECTOR 13)**  
**with Toroid Magnets:**

	<i>Platform</i>	<i>Toroid Magnets</i>	<i>Conflict</i>	<i>Value</i>	<i>Status</i>	<i>Revised with</i>	<i>Comments</i>
1	AT392169MQ	NTB__0007 (TB FEET COIL - SECTOR 14 )	Clash	-0.37	Not Relevant	L.Nikitina	Interface
2	AT392169MQ	NTB__0002 (TB FEET COIL - SECTOR 12 )	Contact	-	Not Relevant	L.Nikitina	Interface
3	AT392169MQ	NTB__0005 (TB WARM STRUCTURE - RING OF THE VOUSOIRS, STRUTS )	Clash	-62.00	Not Relevant	L.Nikitina	Interface
4	AT392169MQ	NTB__0003 (TB WARM STRUCTURE - SIMPLIFIED 3-D OBJECT )	Clash	-98.81	Not Relevant	L.Nikitina	Interface

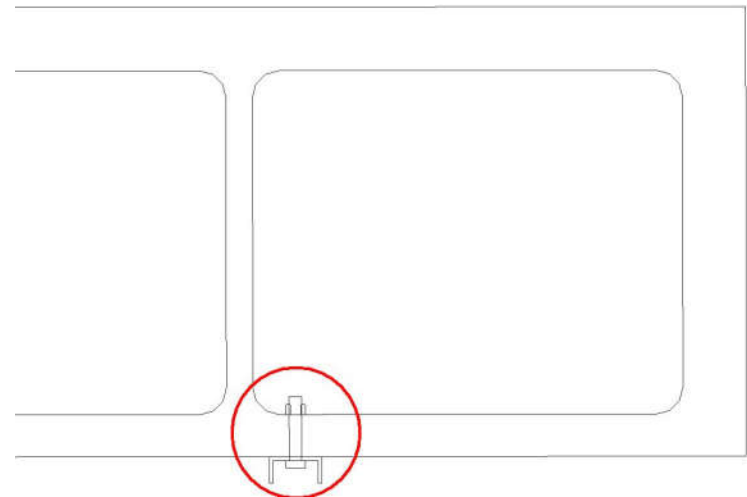
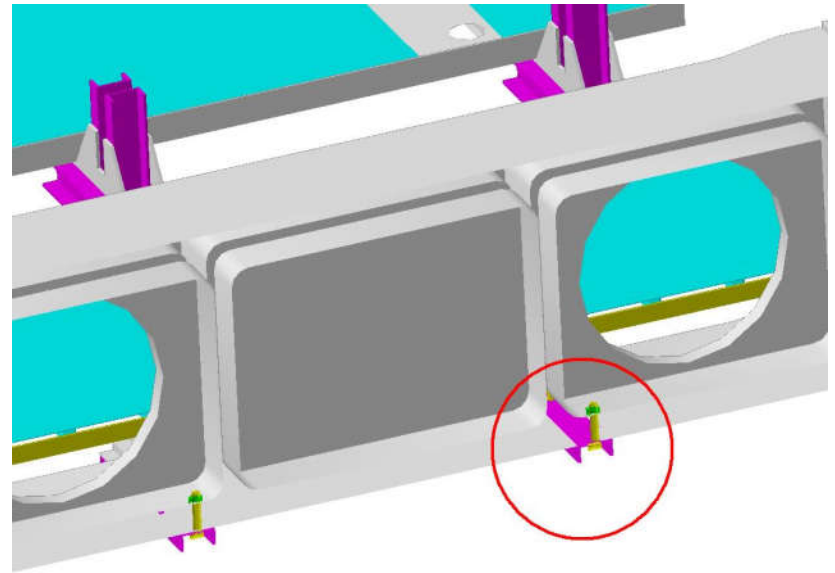
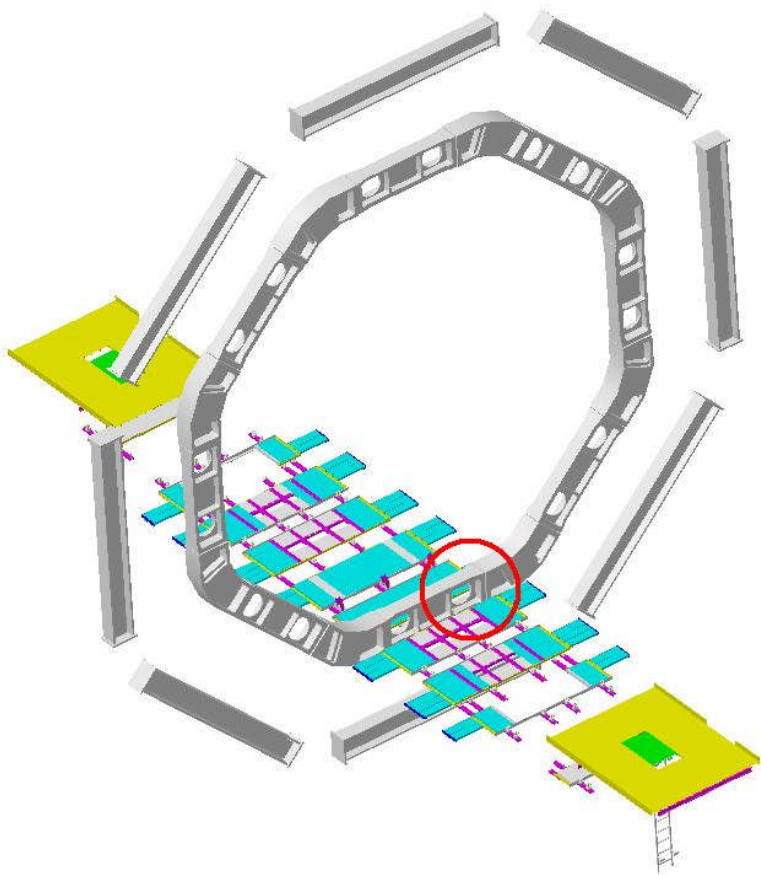
No other objects of Toroid Magnets are near than 50mm around the platform.

AT392169MQ - NTB\_\_0007 (TB FEET COIL - SECTOR 14)



Clash value = 0.4 mm  
Side C Sector 14

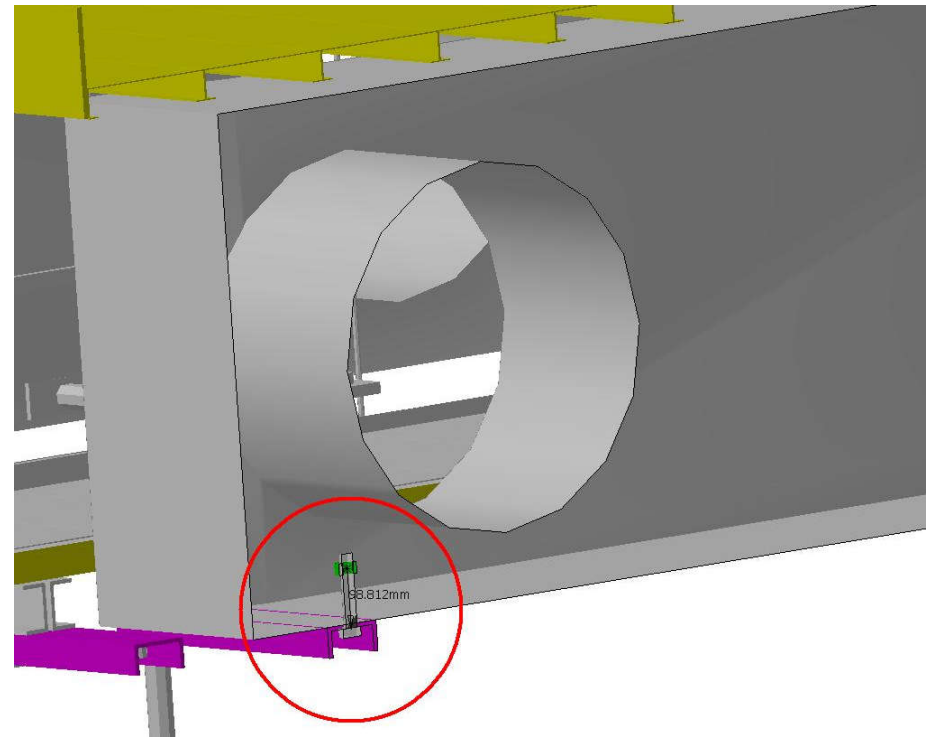
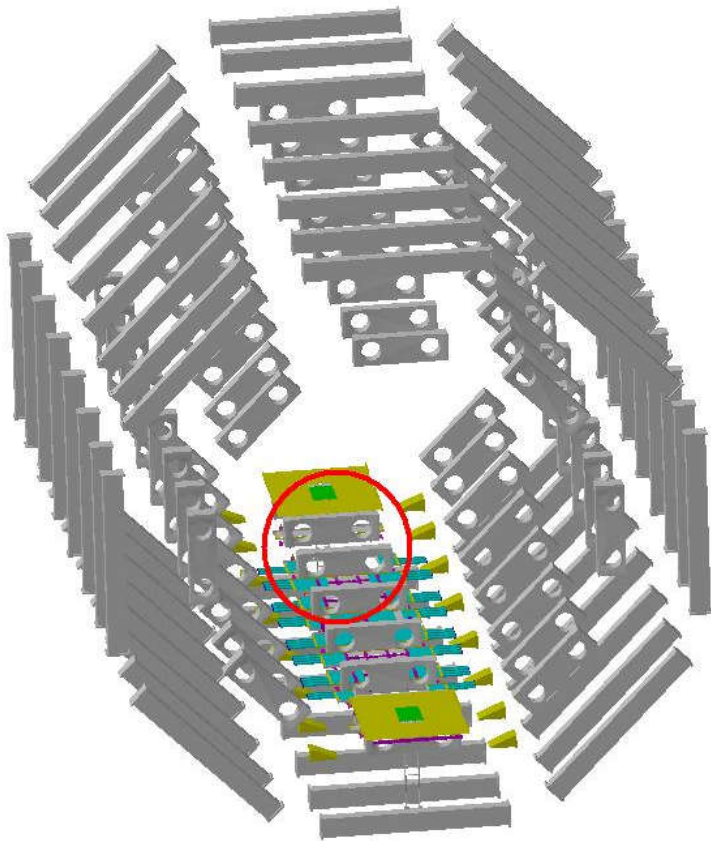
AT392169MQ - NTB\_\_0005 (TB WARM STRUCTURE - RING OF THE VOUSOIRS, STRUTS )



Clash value = 62 mm

Side C

L.Nikitina:  
Fixation



Clash value = 99 mm  
Side A

L.Nikitina:  
Fixation

Conflict list of AT392169MQ – *TOP LEVEL ACCESS PLATFORMS (SECTOR 13)*  
with Support Structure:  
(same as it was in previous model AT392122, in that time Liudmila recognized all  
conflicts as Not Relevant)

	<i>Platform</i>	<i>Toroid Magnets</i>	<i>Conflict</i>	<i>Value</i>	<i>Status</i>	<i>Revised with</i>	<i>Comments</i>
1	AT392169MQ	ZHX__0001 (Envelope of Access Structures )	Clash	-314.89	Not Relevant	Liudmila	
2	AT392169MQ	VHB__0001 (CENTRAL PAIR OF FEET B - DETAILED MODEL FOR STANDARDS )	Contact	0	Not Relevant	Liudmila	
3	AT392169MQ	VHB__0002 (STANDARD PAIR OF FEET A1 (C1) - DETAILED MODEL FOR STANDARDS )	Clash	-0.07	Not Relevant	Liudmila	
4	AT392169MQ	VHB__0003 (STANDARD PAIR OF FEET A2 (C2) - DETAILED MODEL FOR STANDARDS )	Clash	-0.07	Not Relevant	Liudmila	
5	AT392169MQ	VHB__0004 (STANDARD PAIR OF FEET A3 (C3) - DETAILED MODEL FOR STANDARDS )	Contact	0	Not Relevant	Liudmila	
6	AT392169MQ	VHB__0005 (EXTREMITY PAIR OF FEET A4 (C4) - DETAILED MODEL FOR STANDARDS )	Contact	0	Not Relevant	Liudmila	
7	AT392169MQ	ATCVHB_0002 M (Mirror of STANDARD PAIR OF FEET A1 (C1) - DETAILED MODEL FOR STANDARDS )	Clash	-0.04	Not Relevant	Liudmila	
8	AT392169MQ	ATCVHB_0003 M (Mirror of STANDARD PAIR OF FEET A2 (C2) - DETAILED MODEL FOR STANDARDS)	Clash	-0.04	Not Relevant	Liudmila	
9	AT392169MQ	ATCVHB_0004 M (Mirror of STANDARD PAIR OF FEET A3 (C3) - DETAILED MODEL FOR STANDARDS )	Contact	0	Not Relevant	Liudmila	
10	AT392169MQ	ATCVHB_0005 M (Mirror of EXTREMITY PAIR OF FEET A4 (C4) - DETAILED MODEL FOR STANDARDS)	Contact	0	Not Relevant	Liudmila	

No objects from Support Structure are near than 50mm around the platform.

Conflict list of AT392122MQ – *TOP LEVEL ACCESS PLATFORMS*  
*(SECTOR 13)* with Services:  
 (same as it was in previous model AT392122, in that time Liudmila  
 recognized all conflicts as Not Relevant)

	<i>Platform</i>	<i>Toroid Magnets</i>	<i>Conflict</i>	<i>Value</i>	<i>Status</i>	<i>Revised with</i>	<i>Comments</i>
1	AT392169MQ	NSR__0005 (CABLE TRAYS - FOR TB VACUUM PUMPING SYSTEM )	Clash	-9.94	Not Relevant	Liudmila	NSR_0005 Have to be changed

As Liudmila declared NSR\_0005 have to be changed. So, Clash has been considered as Not Relevant

No objects from Services are near than 50mm around the platform.

**Lasha:**

NSR\_0005 is really old coming from ELEONORA SELETSKAIA and dated by 10-DEC-2003

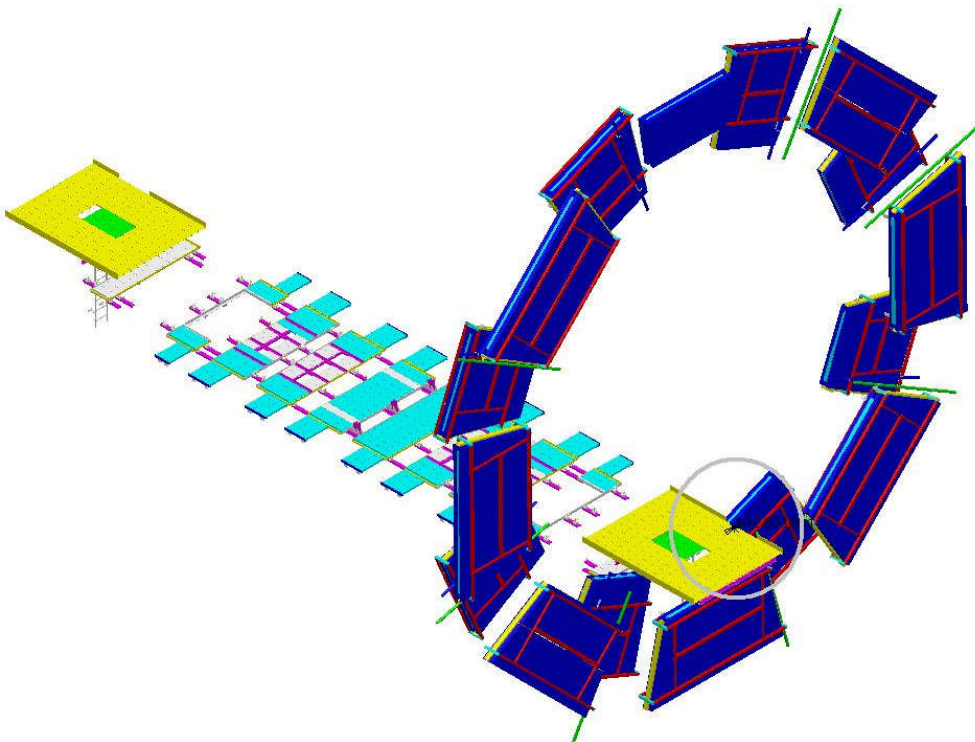


**Conflict list of AT392169MQ – TOP LEVEL ACCESS PLATFORMS  
(SECTOR 13) with Alignment:**

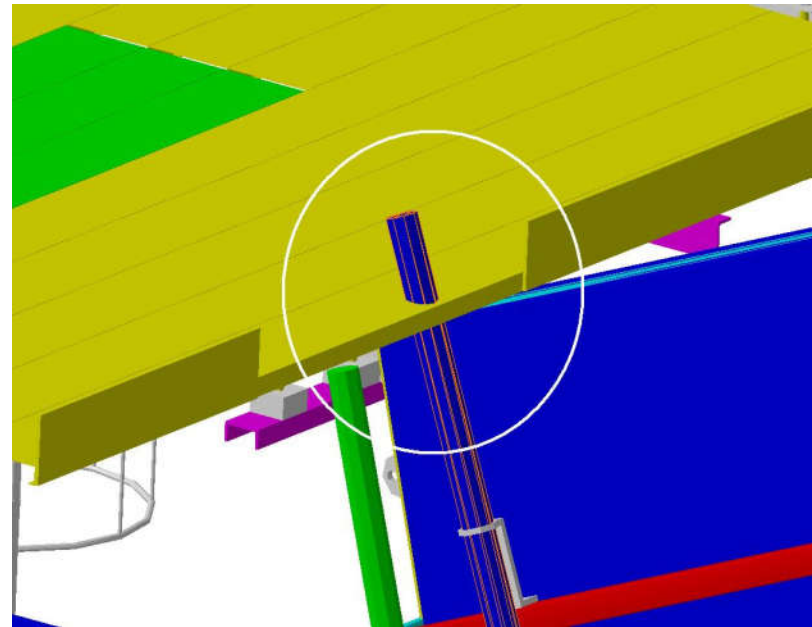
	<i>Platform</i>	<i>Toroid Magnets</i>	<i>Conflict</i>	<i>Value</i>	<i>Status</i>	<i>Revised with</i>	<i>Comments</i>
1	AT392169MQ	NMC_0019 (MEE CHAMBERS SIDE C - 3D SIMPLIFIED MODEL )	Clash	103	Relevant	L.Nikitina	
2	AT392169MQ	NMA__0007 (BARREL PROJECTIVE ALIGNMENT. - SIMPLE 3-D MODEL. SECTOR 13)	Clearance	3.87	Not Relevant	L.Nikitina	Platforms can be moved
3	AT392169MQ	NMA__0009 (END CAP ALIGNMENT SIDE "A". - SIMPLE 3-D MODEL)	Clearance	4	Relevant	L.Nikitina	
4	AT392169MQ	NMA__0010 (END CAP ALIGNMENT SIDE "C" - SIMPLE 3-D MODEL)	Clearance	4	Relevant	L.Nikitina	
5	AT392169MQ	NMA__0016 (SECTOR 12 SIDE C (A) - REFERENCE ALIGNMENT SYSTEM AND )	Clearance	21.61	Not Relevant	L.Nikitina	Platforms can be moved
6	AT392169MQ	NMA__0017 (SECTOR 14 SIDE C (A) - REFERENCE ALIGNMENT SYSTEM AND )	Clearance	21.61	Not Relevant	L.Nikitina	Platforms can be moved

RELEVANT

AT392169MQ / NMA\_\_0019 (MEE CHAMBERS SIDE C - 3D SIMPLIFIED MODEL)

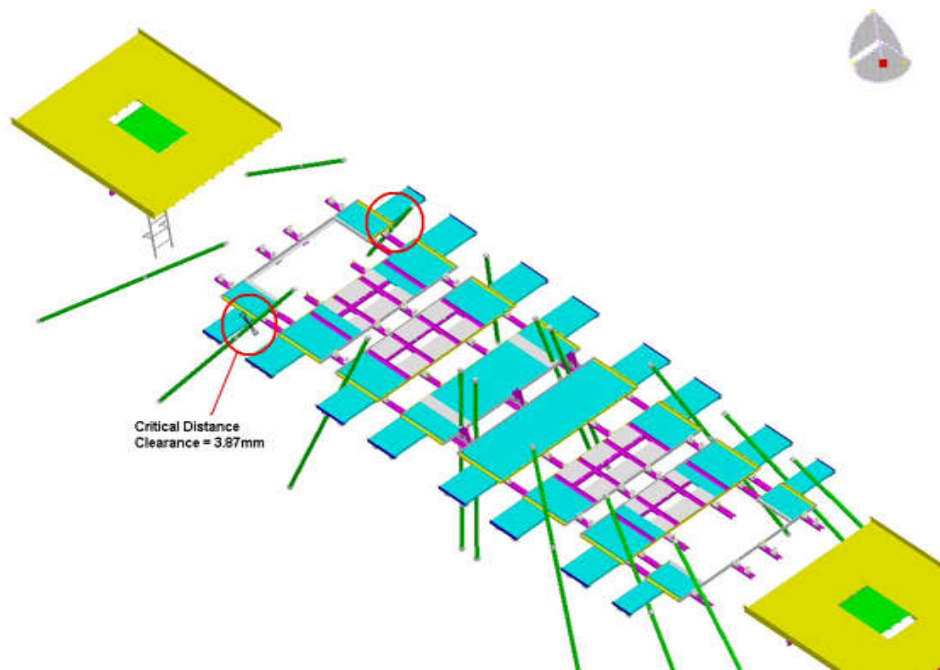


Clash = 103 mm  
Side C



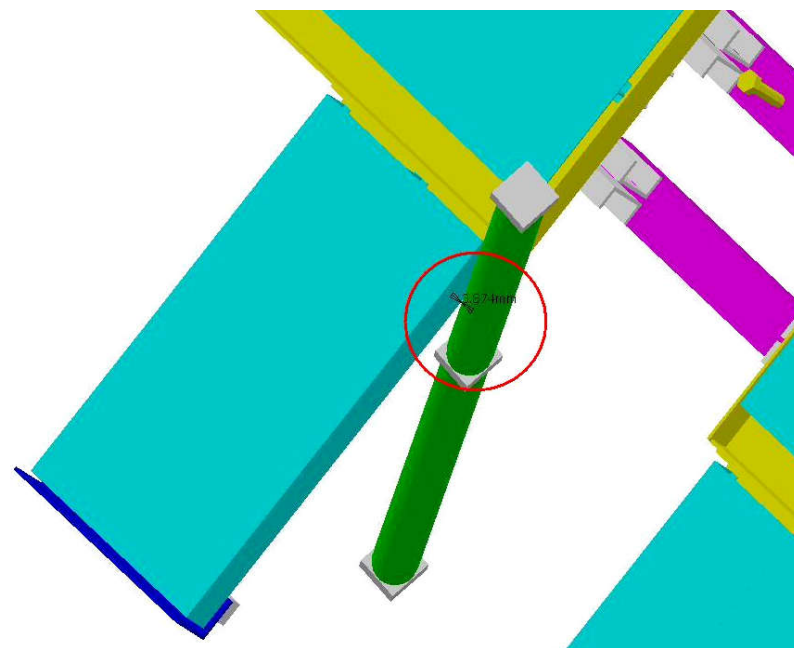
L.Nikitina: “?”

AT392169MQ / NMA\_0007 (BARREL PROJECTIVE ALIGNMENT. - SIMPLE 3-D MODEL. SECTOR 13)



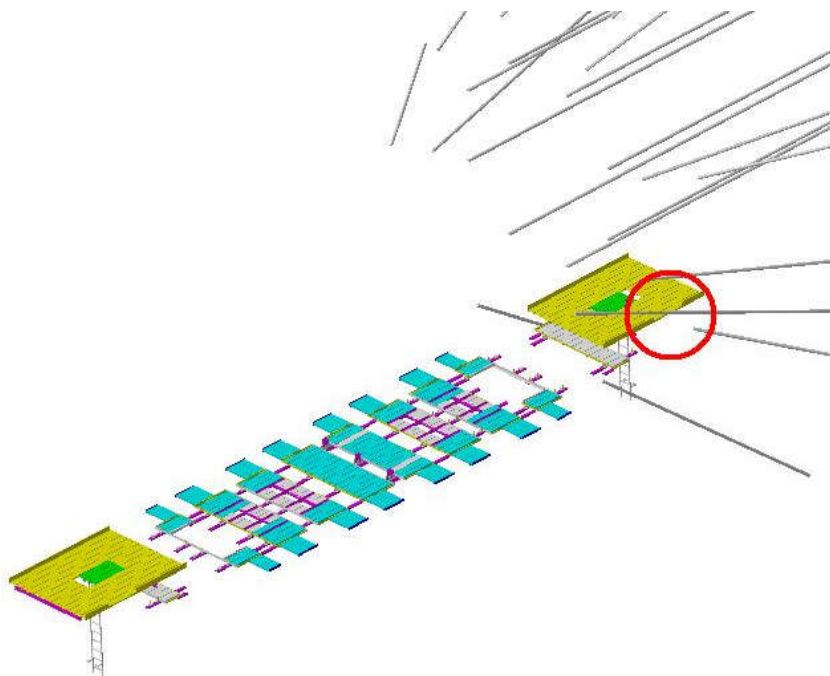
Critical distance = 3.87mm  
Side A

Same conflict occurs on Side C

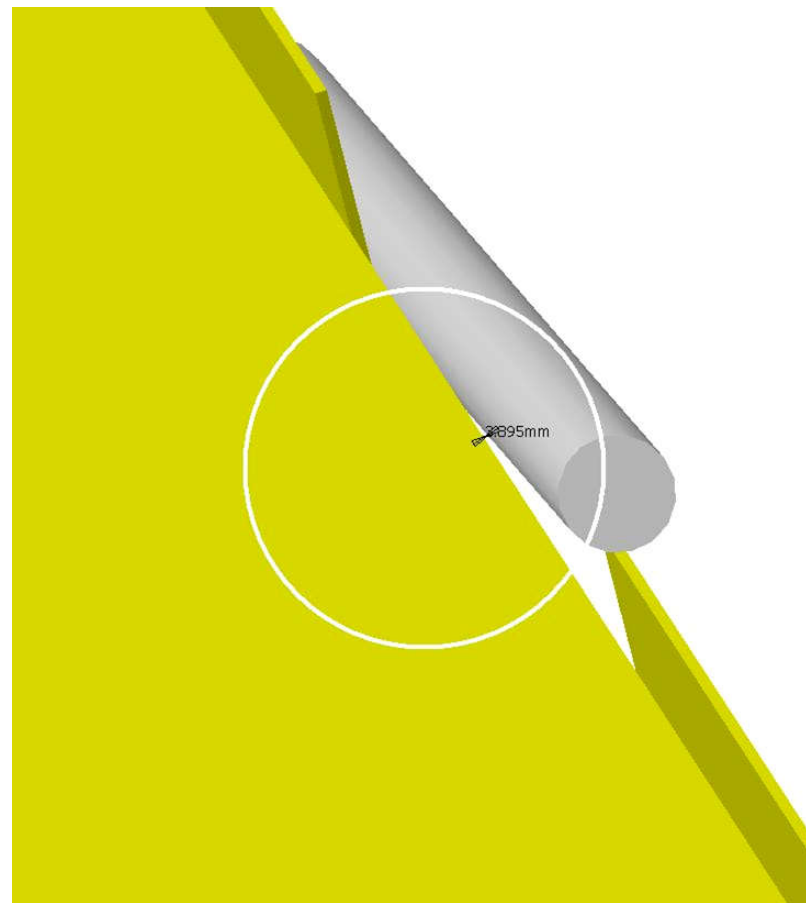


L.Nikitina:  
Mobile platforms

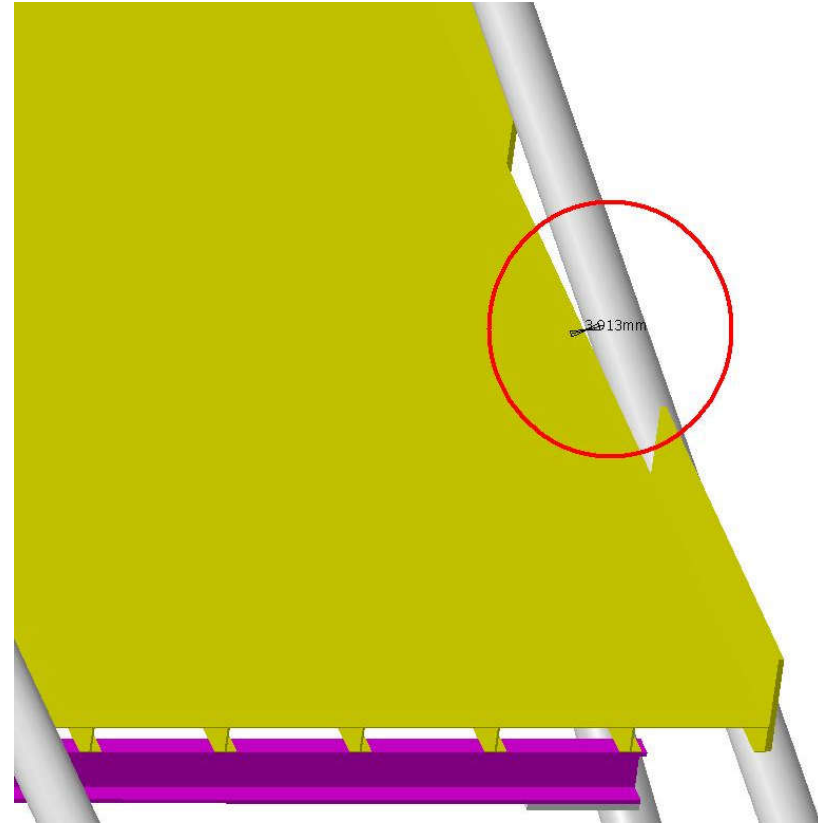
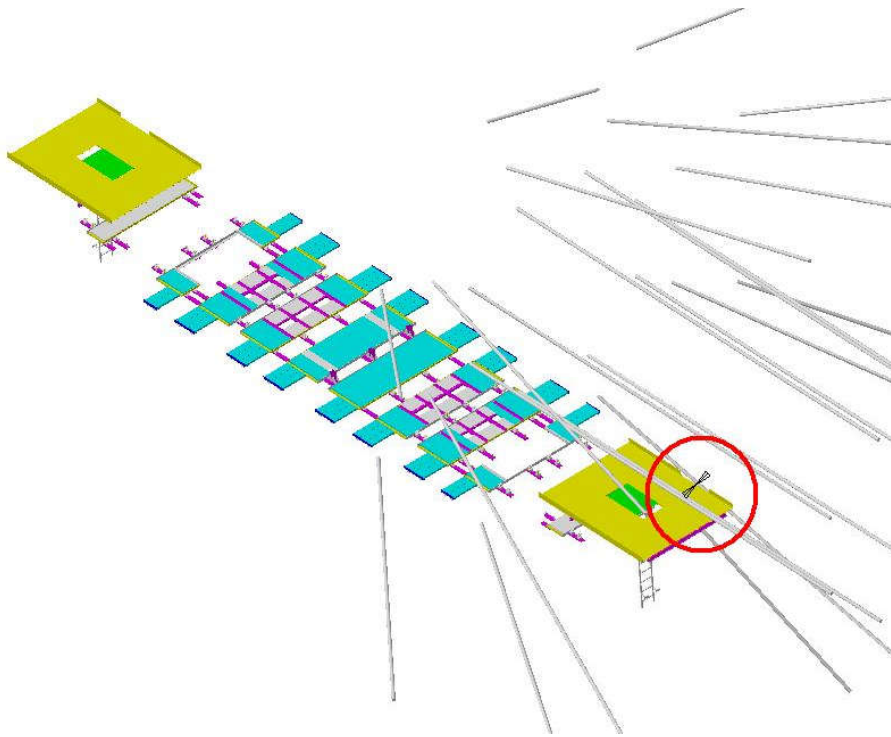
AT392169MQ / NMA\_\_0009 (END CAP ALIGNMENT SIDE "A". - SIMPLE 3-D MODEL )



Critical Distance = 4 mm  
Side A

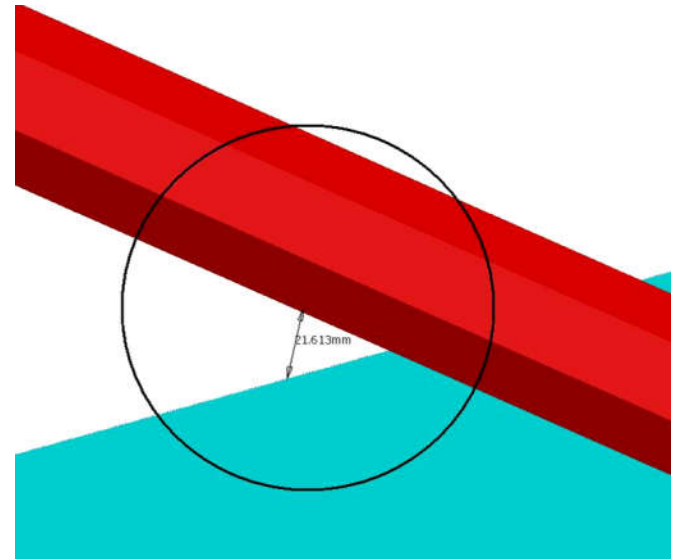
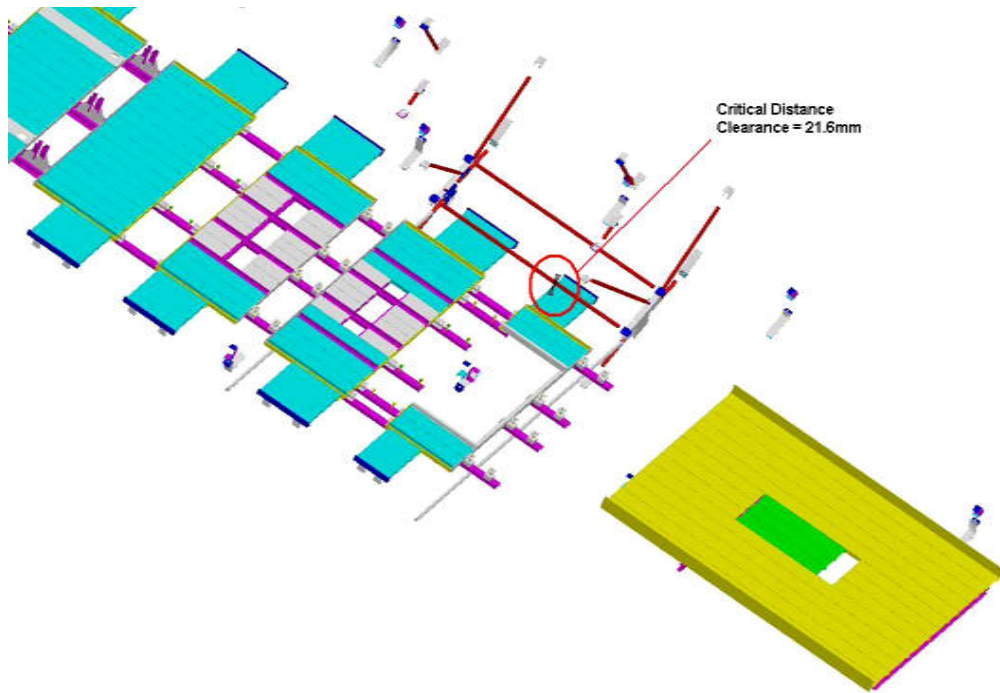


AT392169MQ / NMA\_\_0010 (END CAP ALIGNMENT SIDE "C" - SIMPLE 3-D MODEL )



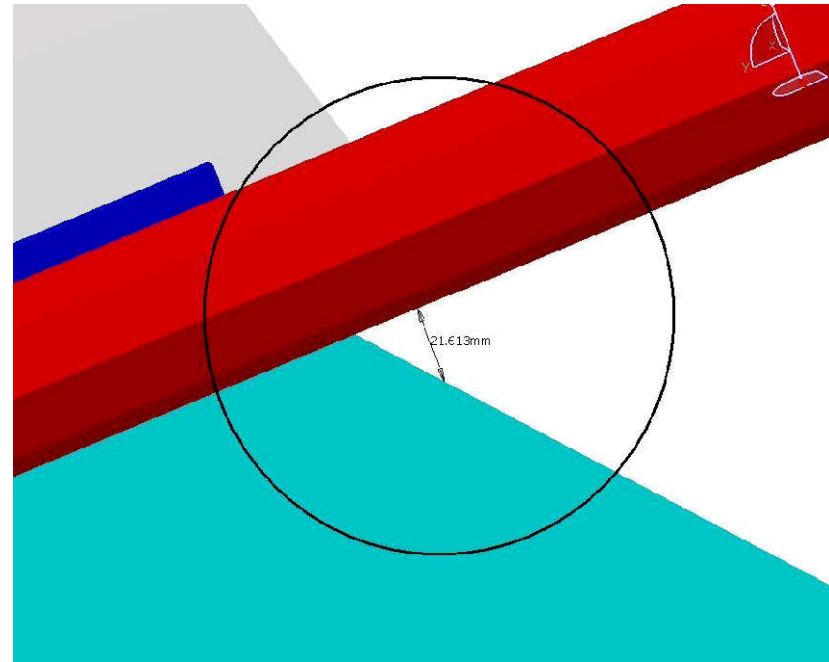
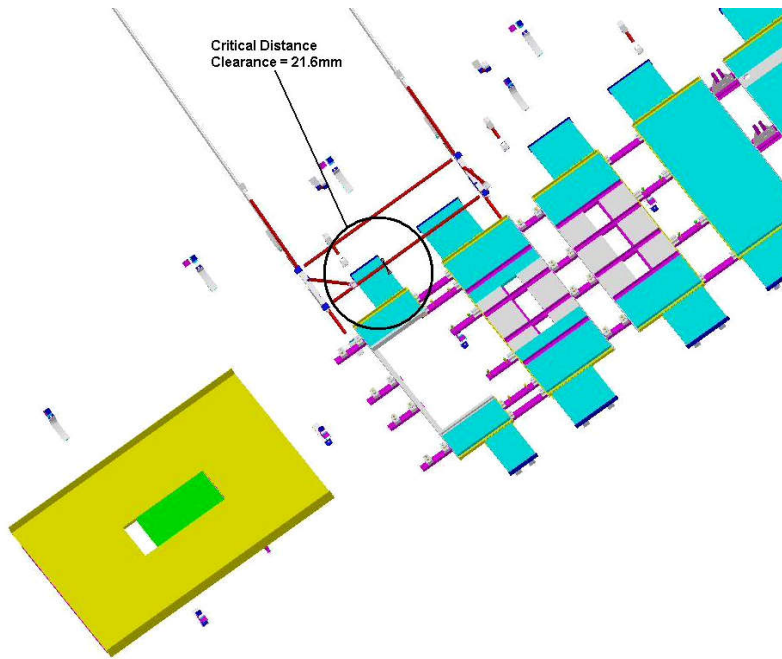
Critical Distance = 4 mm  
Side C

AT392169MQ / NMA\_\_0016 (SECTOR 12 SIDE C (A) - REFERENCE ALIGNMENT SYSTEM AND )



Critical Distance = 22 mm  
Side C

AT392169MQ / NMA\_\_0017 (SECTOR 14 SIDE C (A) - REFERENCE ALIGNMENT SYSTEM AND )



Critical Distance = 22 mm  
Side A

## Conclusion:

<i>Summary:</i>	<i>Total conflicts detected</i>	<i>- 21</i>
	<i>Number of revised</i>	<i>- 21</i>
	<i>Number of Relevant</i>	<i>- 3</i>